

WIDTH

POST HEIGHT

PROJECTION

FALL
ANGLE

MOUNTING HEIGHT

CENTRE TO CENTRE - 42mm
WIDTH

PROJECTION

POST HEIGHT

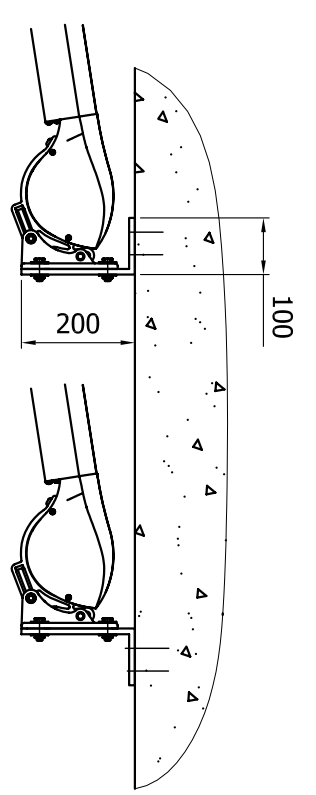
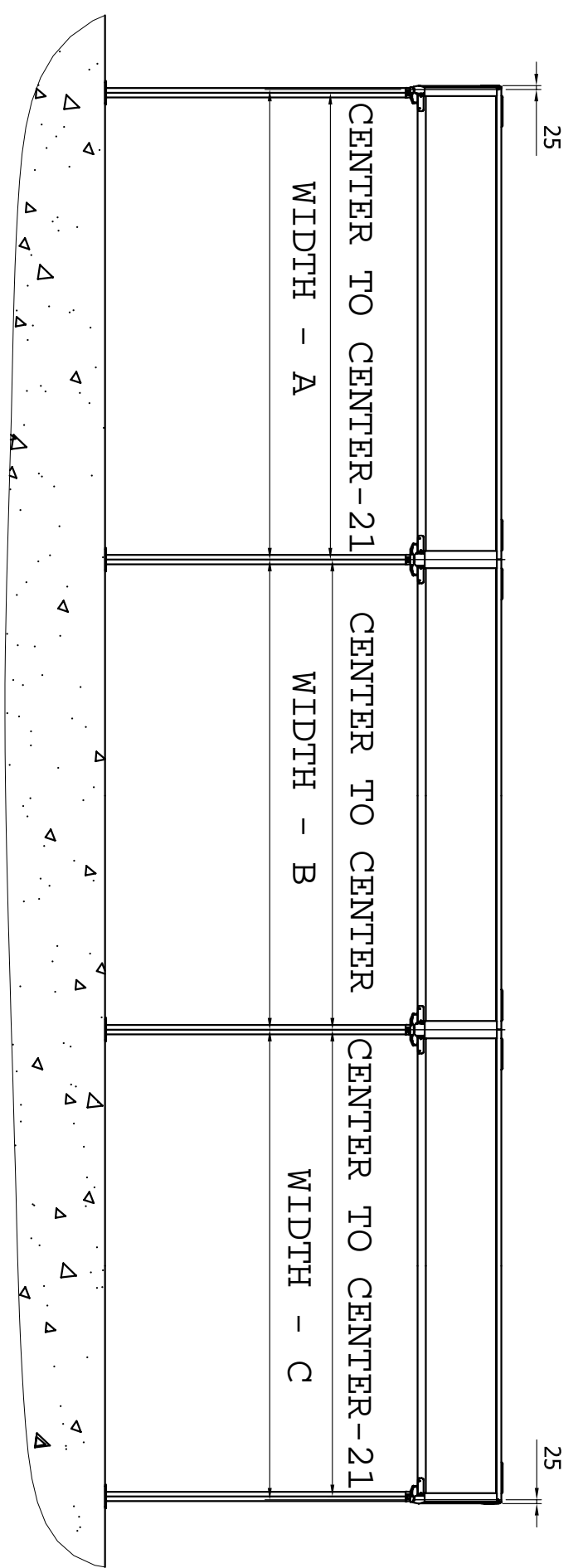
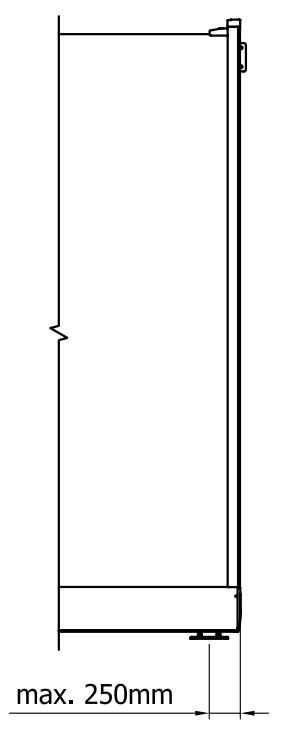
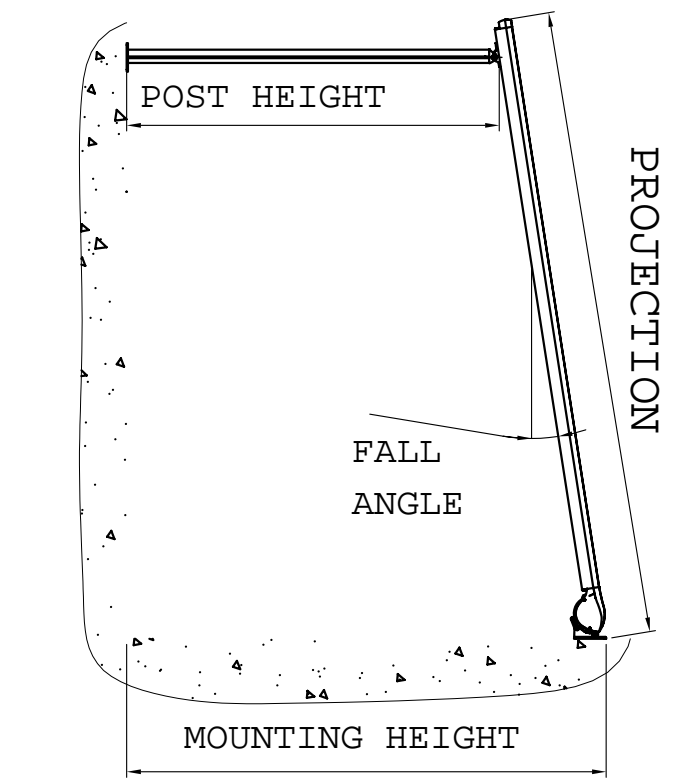
FALL
ANGLE

MOUNTING HEIGHT

CENTER TO CENTER-21mm
WIDTH - A

CENTER TO CENTER-21mm
WIDTH - B

TOP FIX OPTIONS



TOP FIX OPTIONS