

1 2 3 4 5 6 7 8

A A

B B

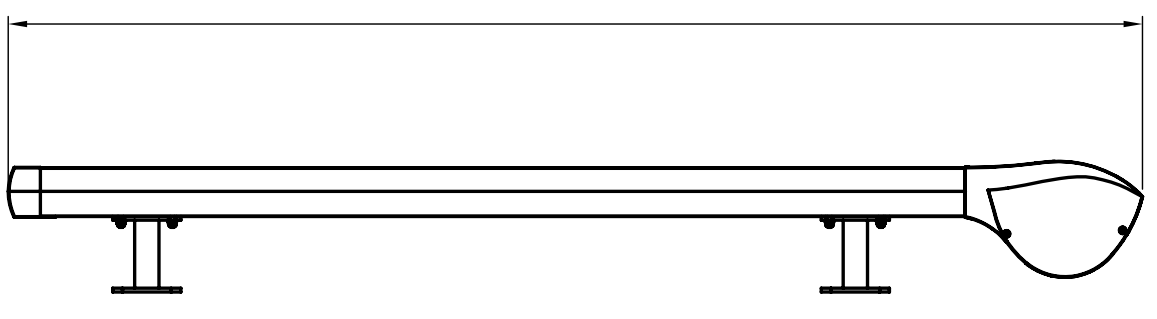
C C

D D

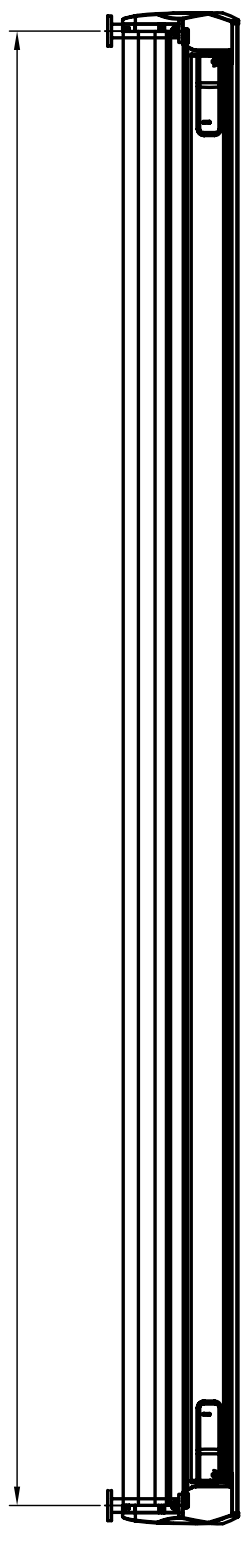
E E

F F

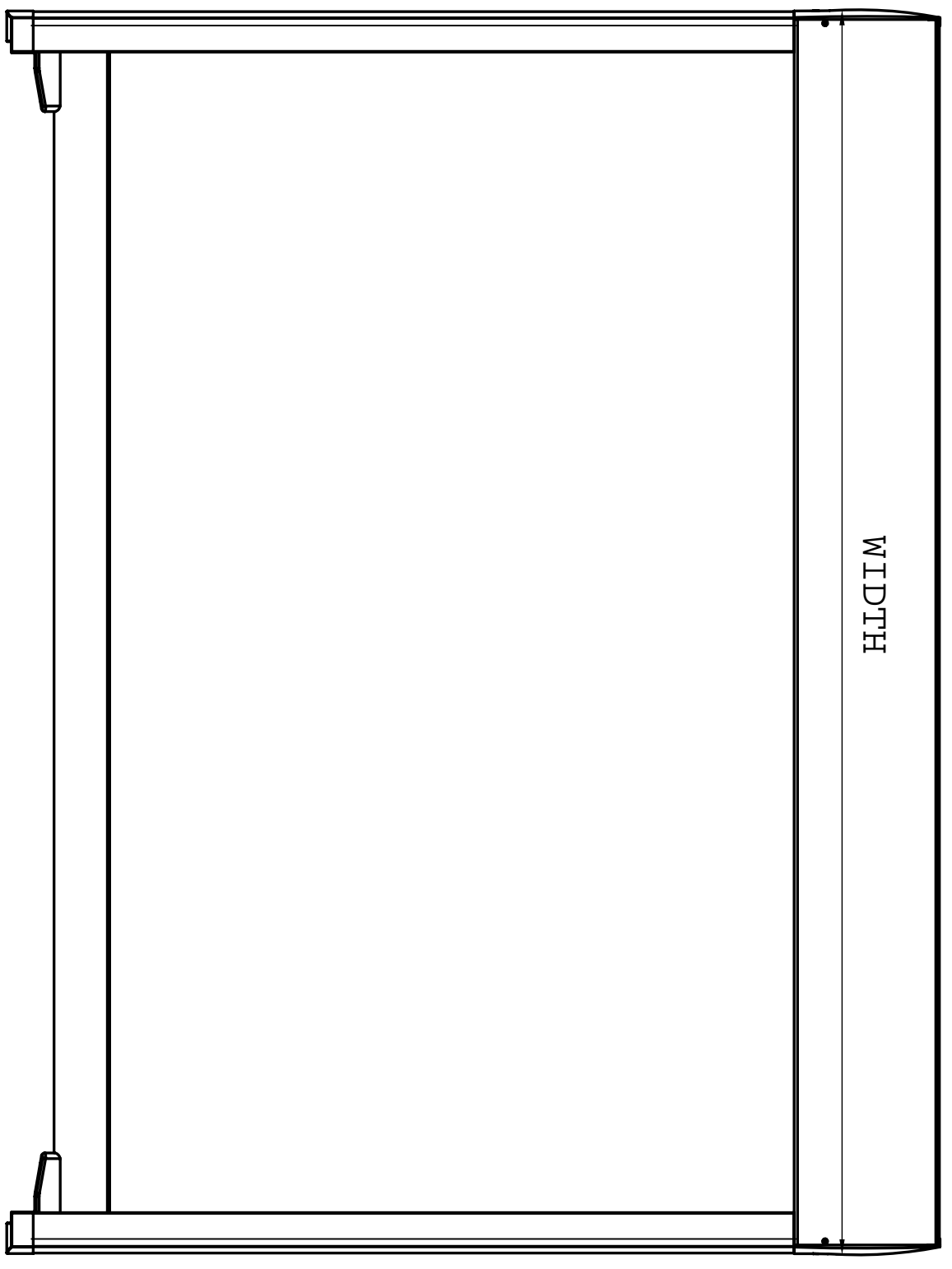
PROJECTION



CENTER TO CENTER

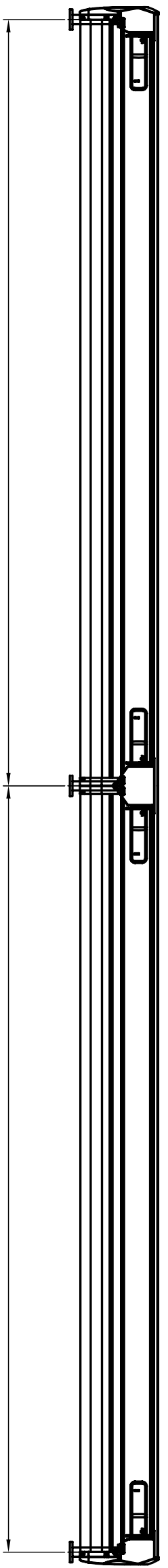


WIDTH



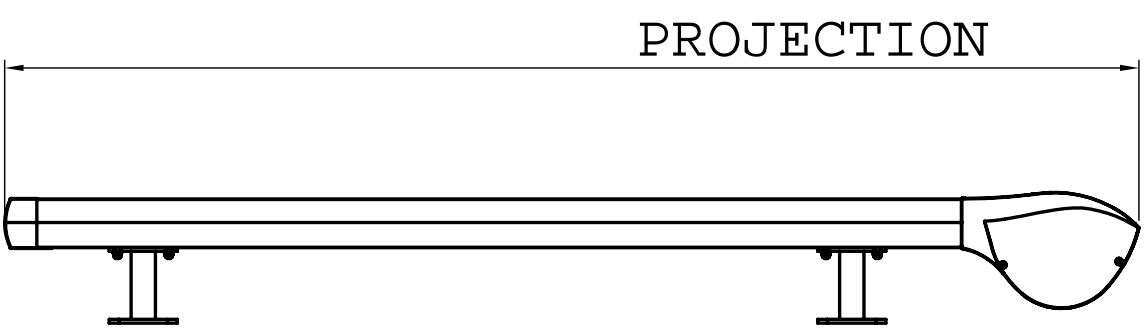
VARIOSCREEN SINGLE FIELD

1 2 3 4 5 6 7 8

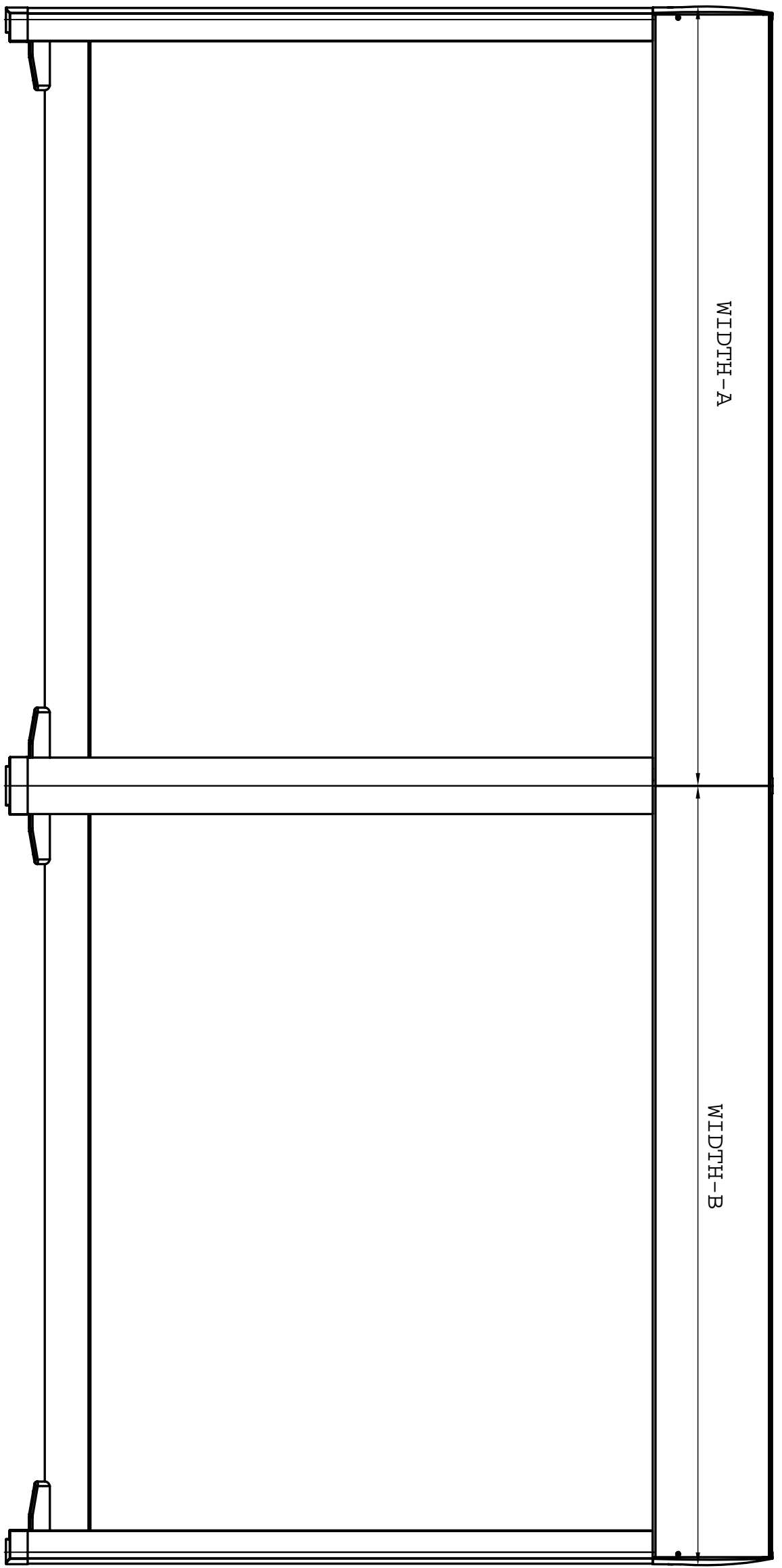


CENTER TO CENTER

CENTER TO CENTER



PROJECTION



WIDTH-A

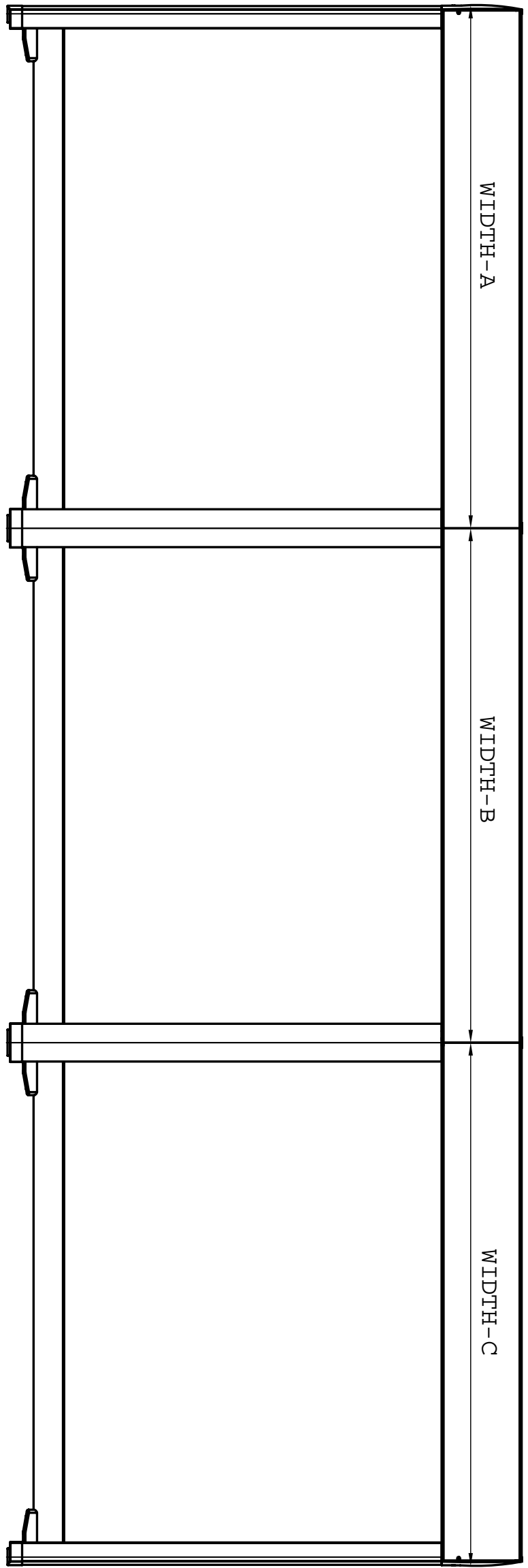
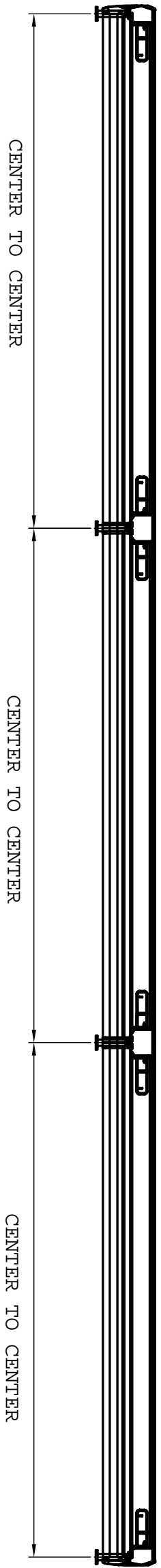
WIDTH-B

VARIOSCREEN DOUBLE FIELD

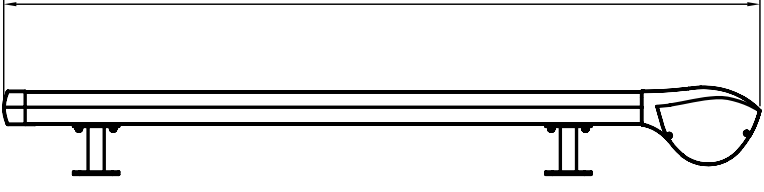
F E D C B A F E D C B A

1 2 3 4 5 6 7 8

1 2 3 4 5 6 7 8



PROJECTION

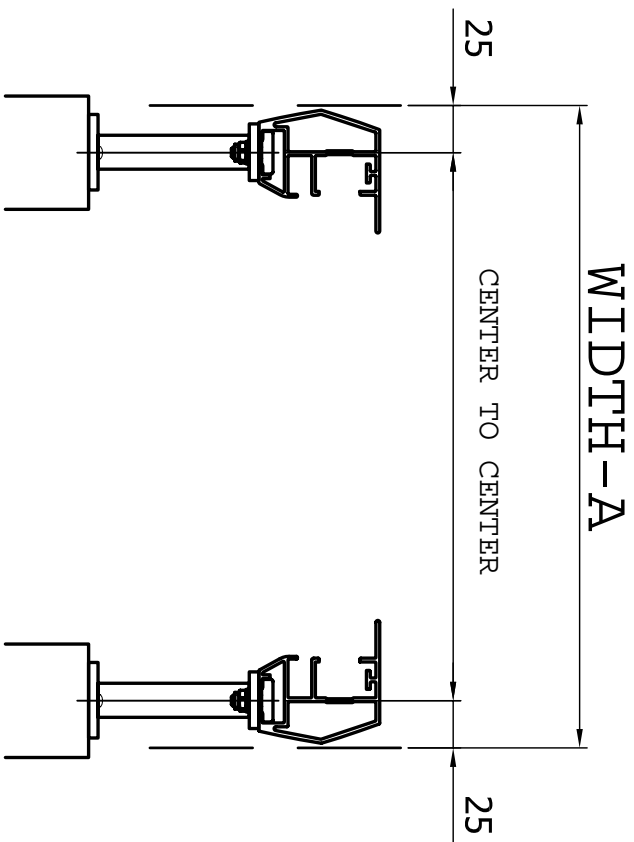


VARIOSCREEN TRIPPLE FIELD

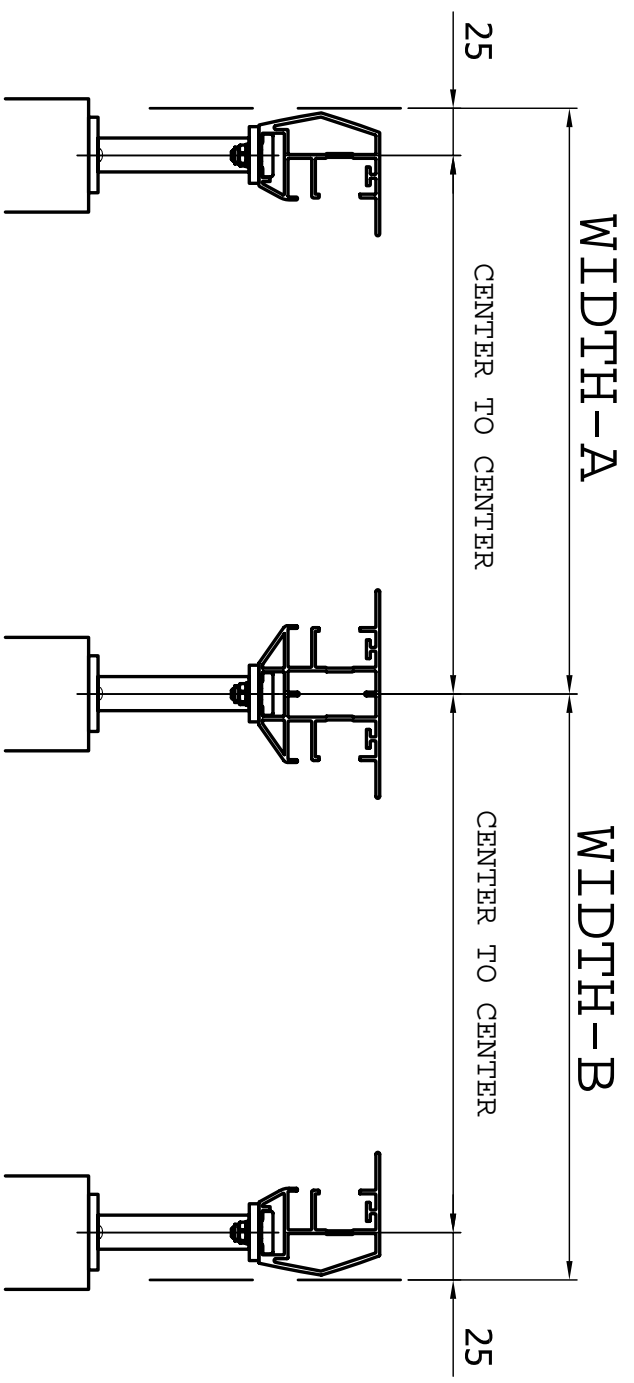
F E D C B A

1 2 3 4 5 6 7 8

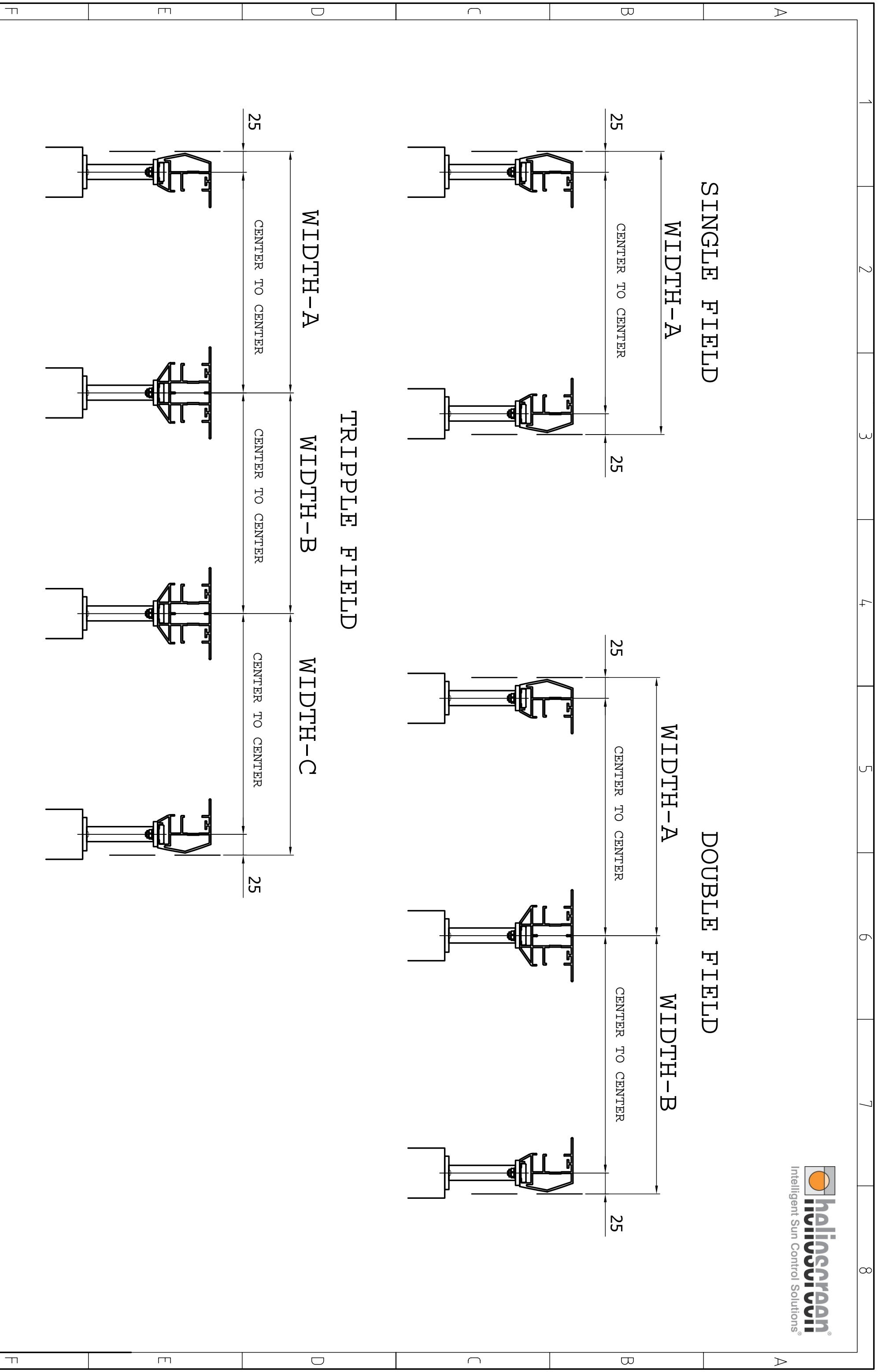
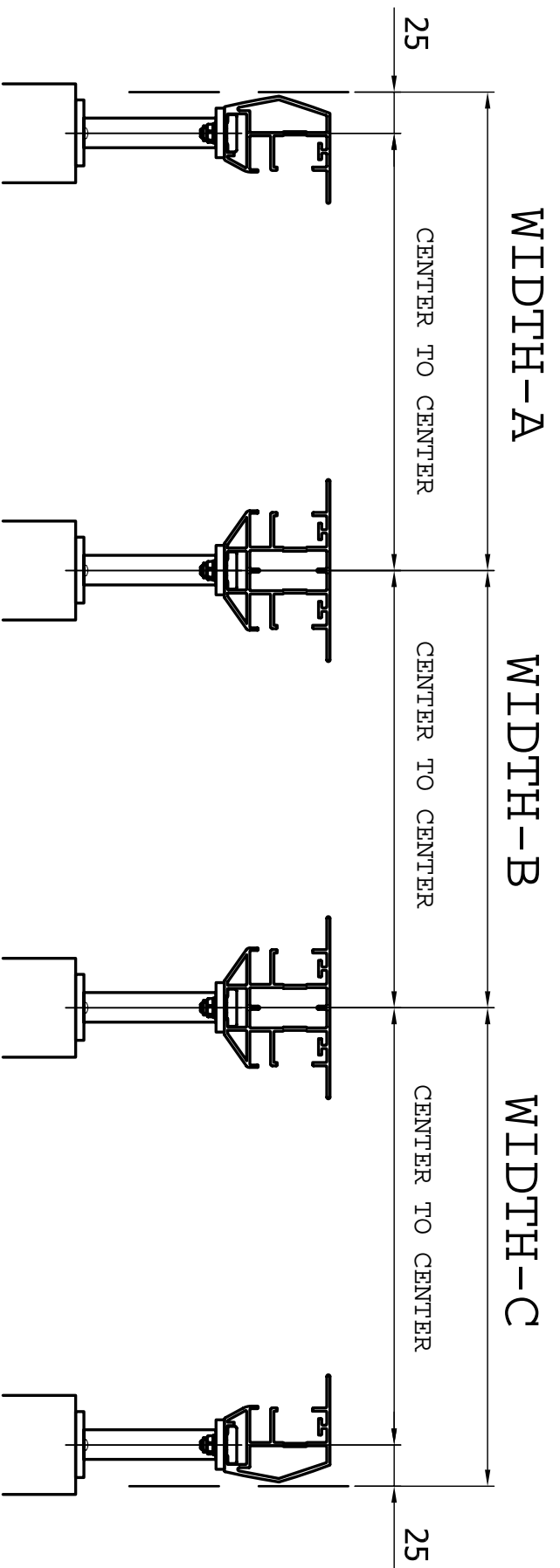
SINGLE FIELD

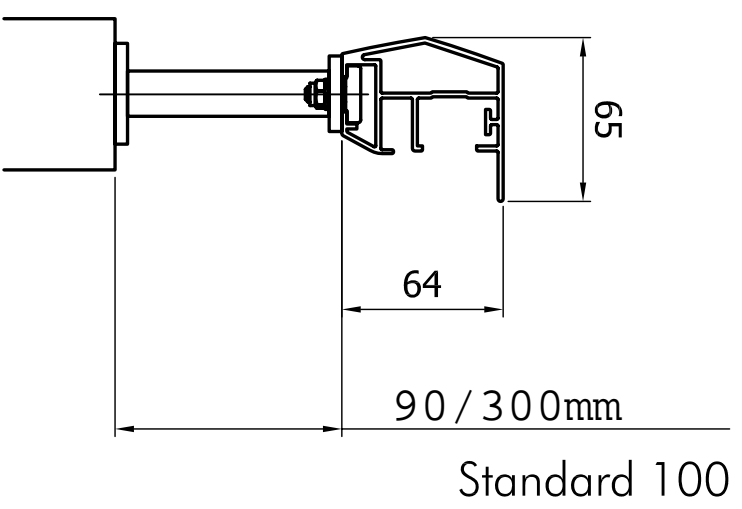
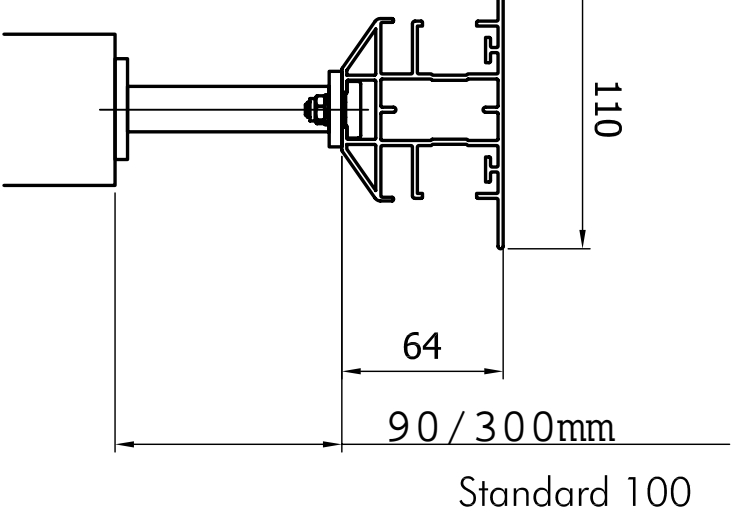
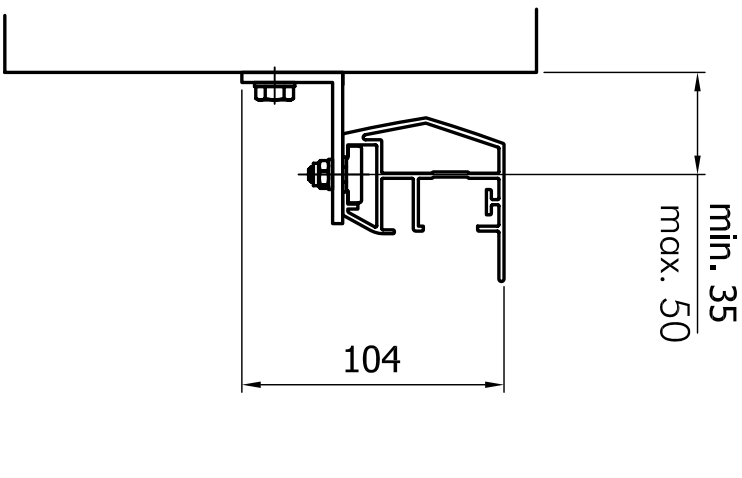
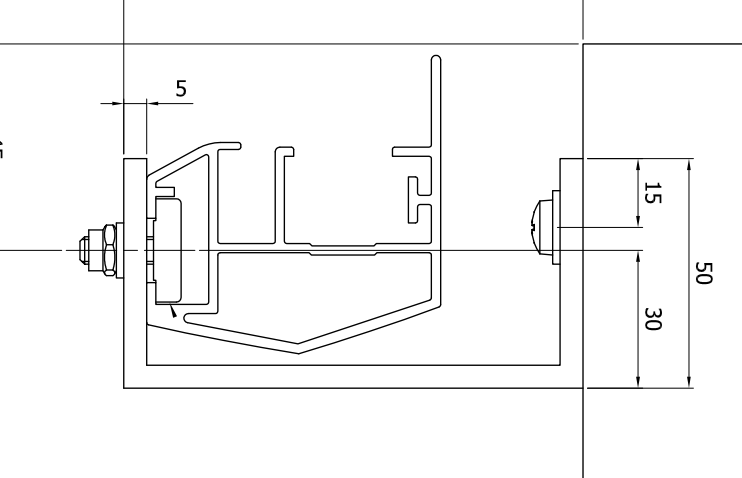


DOUBLE FIELD



TRIPPLE FIELD



<p>DISTANCE BRACKET SIDE RAIL</p>	
<p>DISTANCE BRACKET COMMON RAIL</p>	
<p>SIDE FIX BRACKET SIDE RAIL</p>	
<p>TOP FIX BRACKET SIDE RAIL</p>	

A B C D E F

A B C D E F

1 2 3 4 5 6 7 8