

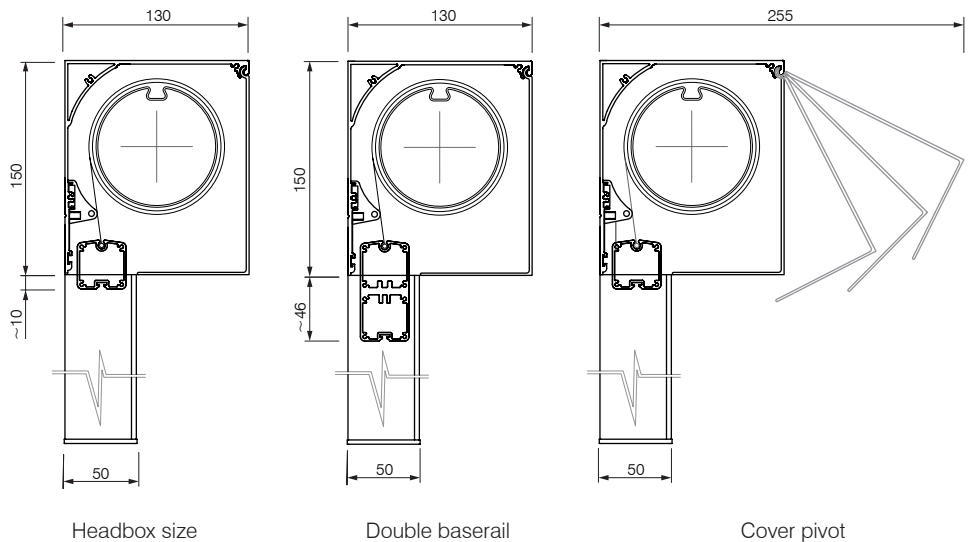
SYSTEM SPECIFICATIONS

Minimum width	770mm
Maximum width	6000mm
Maximum drop	4000mm
Maximum area	20sqm
Linkable	No
Headbox	Yes
Fabric deductions	N/A zipper to edges

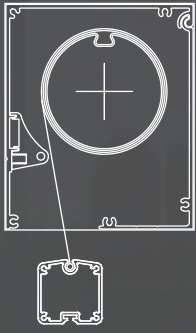
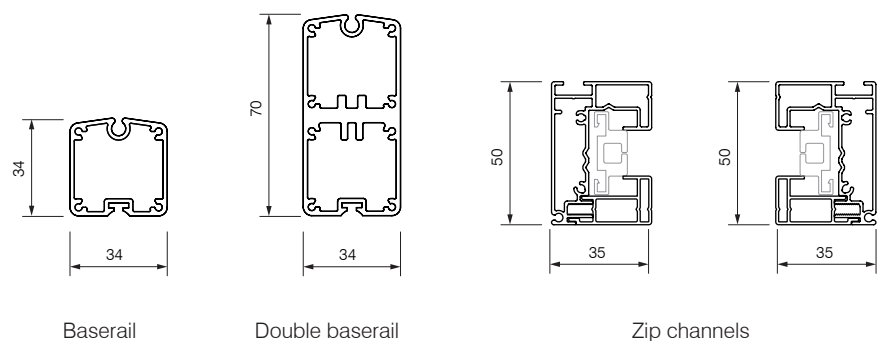
TECHNICAL INFORMATION

Headbox	Two part extruded aluminium headbox 130x150mm
End plates	Cast aluminium with zip channel connection sleeve
Roller tube	80 / 85 / 95mm roller tube with zip reducers
Zip channels	Two part extruded guide channels 35x50mm
Installation options	Reveal or face fix installation variations

System details



Zip channel & baserail sizes



HMX 130 ZIP

EXTERNAL ZIP BLIND 130x150mm HEADBOX

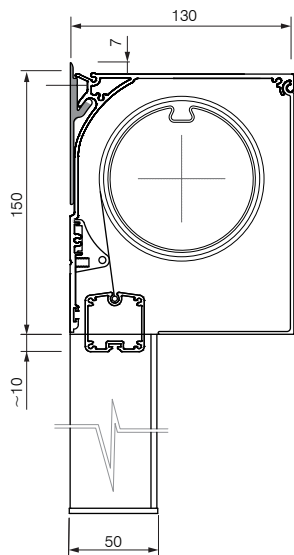


The Helioscreen **HMX 130 ZIP** is a unique and versatile external blind system.

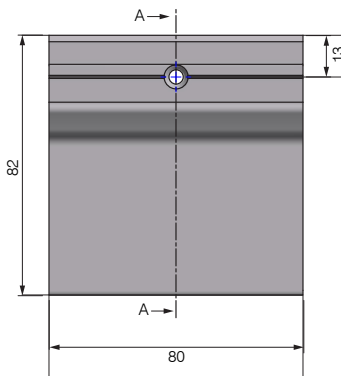
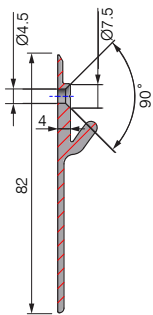
The zip guide channels hold the fabric laterally, removing gaps between the channel and the fabric, which increases stability and visual appeal.

Designed and engineered in Europe, this system features a sturdy 130x150mm headbox and allows many installation variations, including with optional headbox support brackets.

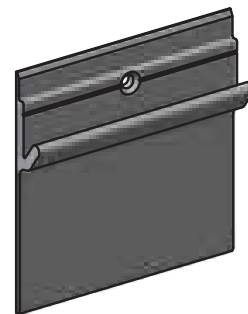
Optional headbox support plate details for widths over 5m



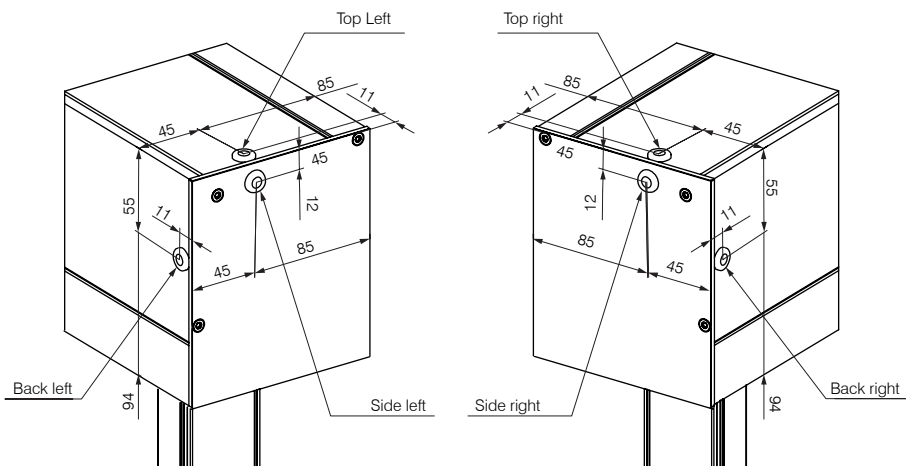
Headbox size



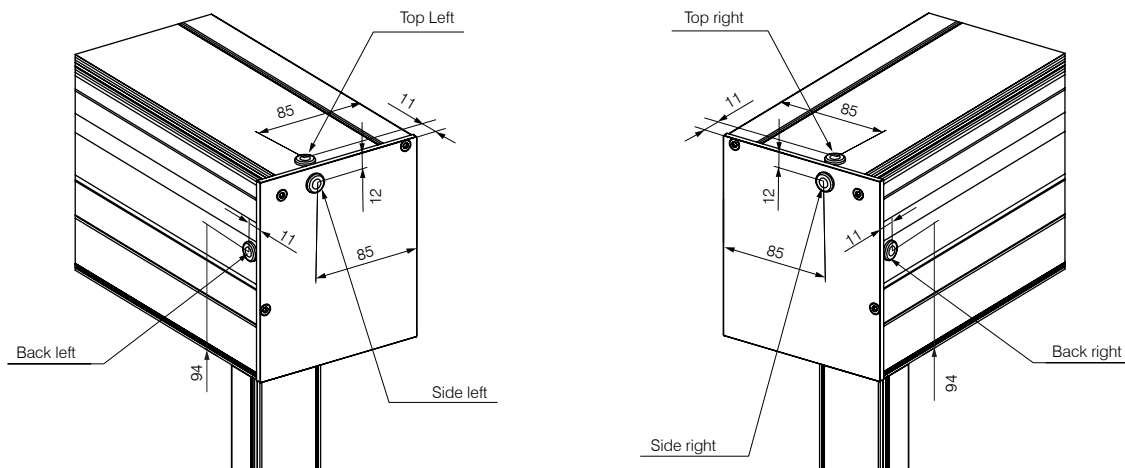
Support plate



Power cable exit options

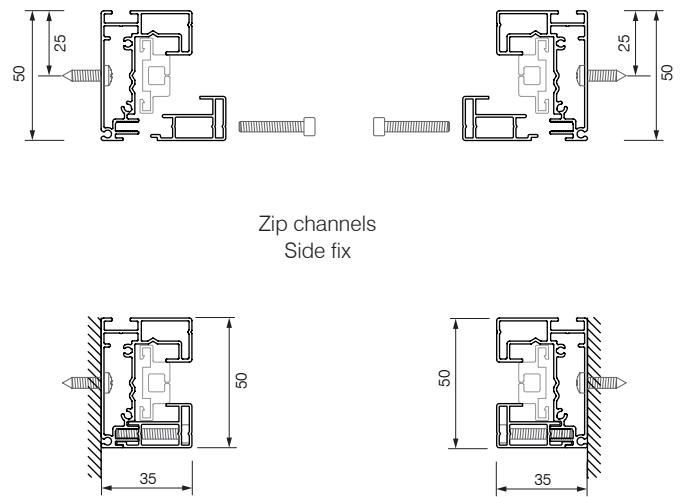
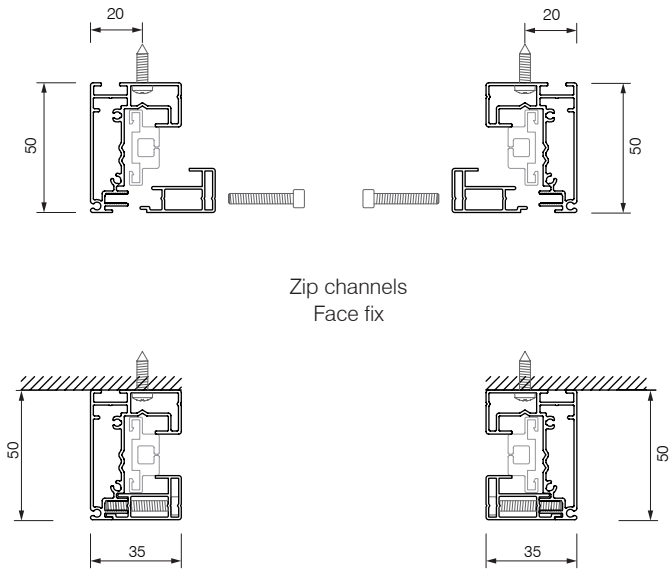


Power cable exit options with grooved back profile

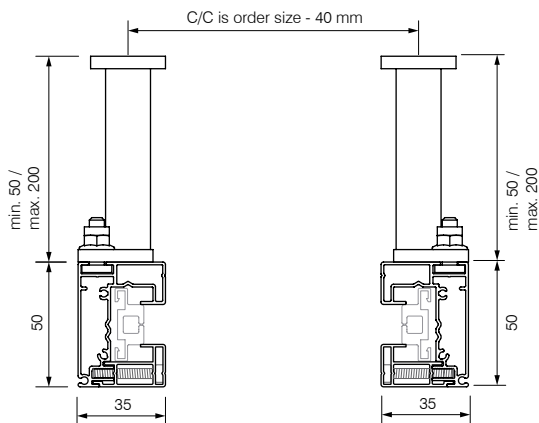


(Grooved back profile for systems over 5m wide when optional support plate is used)

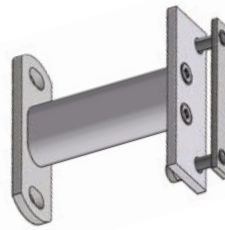
Fixing options



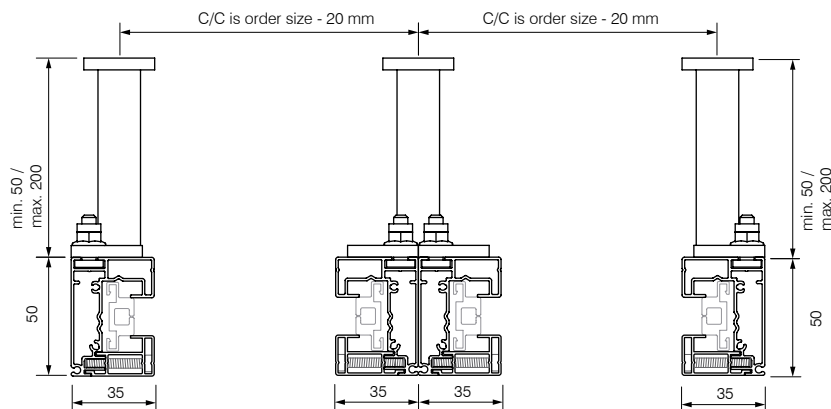
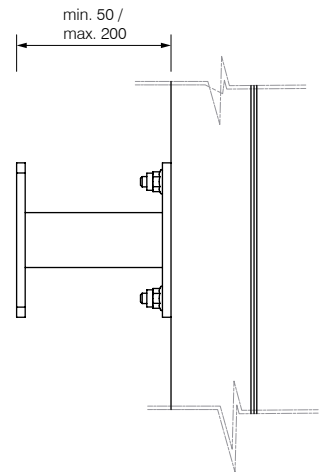
Channel stand-off brackets – detail



Single system details



Side view



Side-by-side system details

