

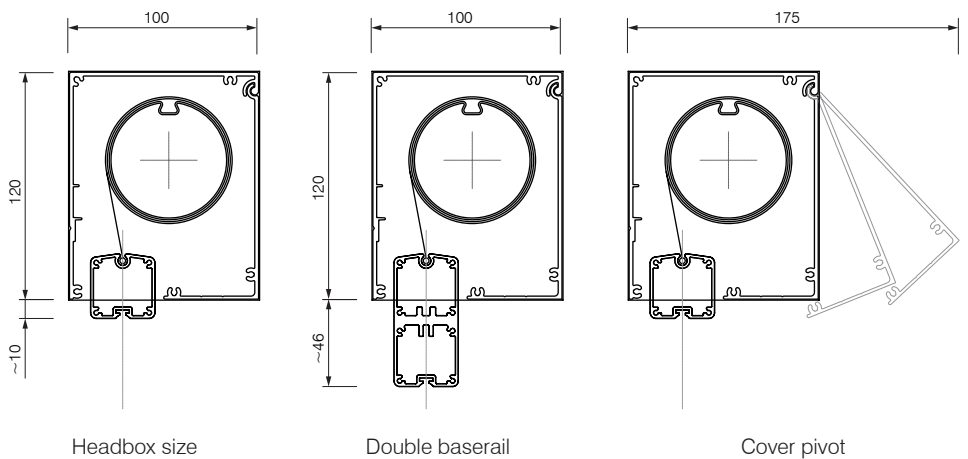
SYSTEM SPECIFICATIONS

| | |
|-------------------|---------------|
| Minimum width | 770mm |
| Maximum width | 3200mm |
| Maximum drop | 3200mm |
| Maximum area | 9sqm |
| Linkable | Yes |
| Headbox | Yes |
| Fabric deductions | 40mm per side |

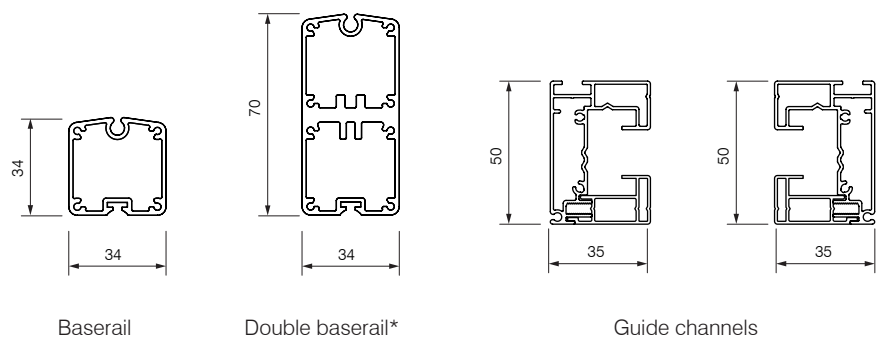
TECHNICAL INFORMATION

| | |
|----------------------|---|
| Headbox | Two part extruded aluminium headbox 100x120mm |
| End plates | Cast aluminium with guide cable connection lug |
| Roller tube | 65mm roller tube |
| Guide cables | 316 grade stainless steel guide cables and fittings |
| Guide channels | Two part extruded guide channels 35x50mm |
| Installation options | Reveal or face fix installation variations |

System details



Channel & baserail sizes



* Double baserail used for narrow widths over 1:2.5 height

HMX 100

EXTERNAL BLIND 100x120mm HEADBOX

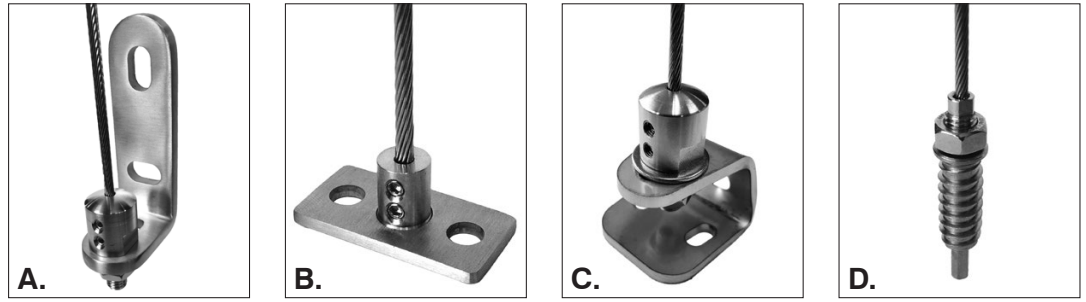


The Helioscreen **HMX 100** is an external blind system built for durability and performance in the uniquely harsh Australian climate.

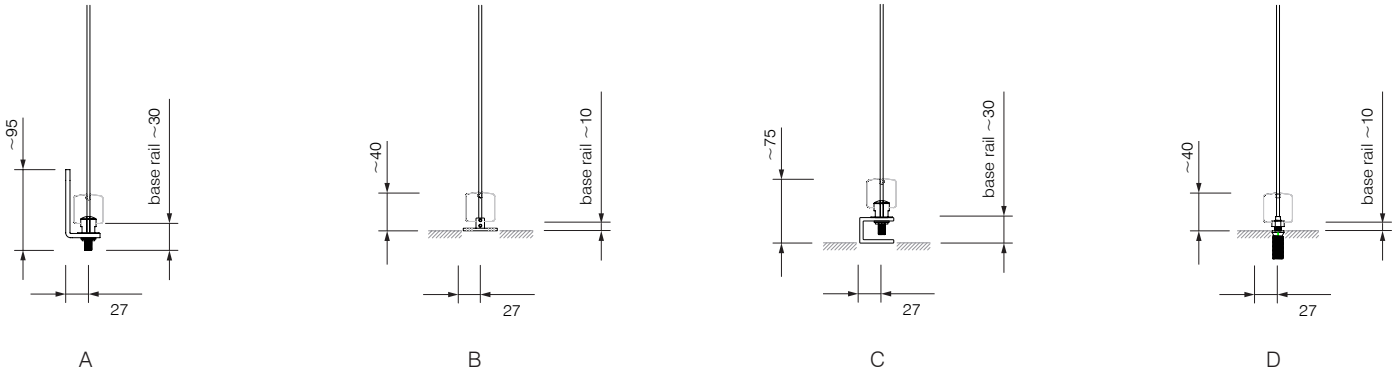
Designed and engineered in Europe, this is an uncompromising product of the highest quality, featuring a compact 100x120mm headbox, with either marine grade stainless steel cable guides, or sleek two-piece aluminium guide channels.

Cable guide fixings

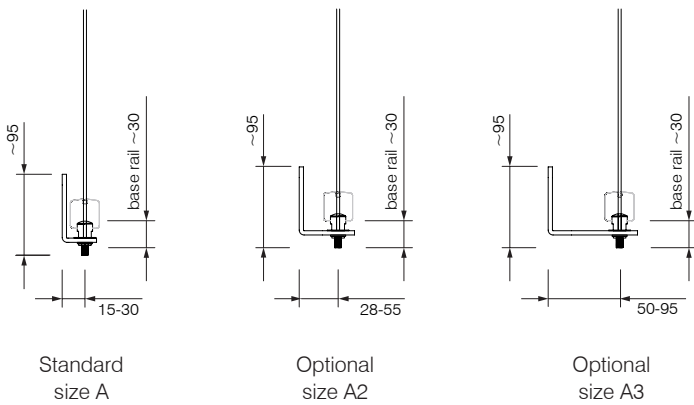
- A. S/steel bush
S/steel wall bracket
- B. S/steel bush
S/steel bottom fix plate
- C. S/steel bush
S/steel universal bracket
- D. S/steel timber deck mount



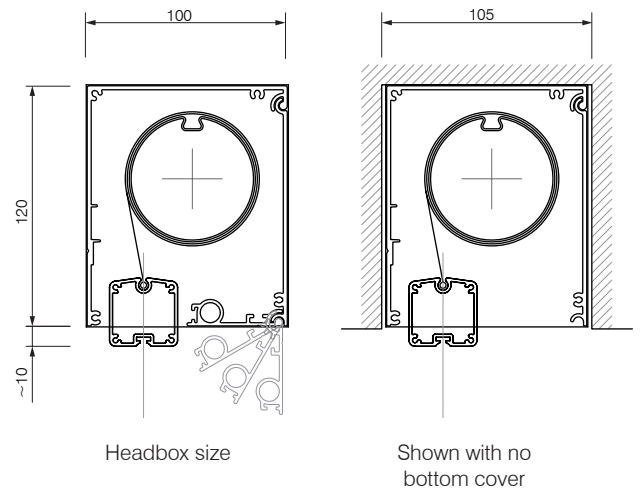
Cable side details



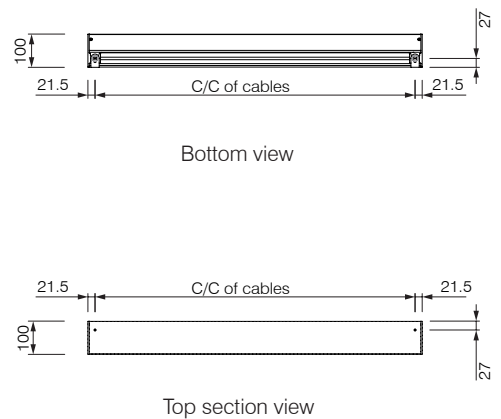
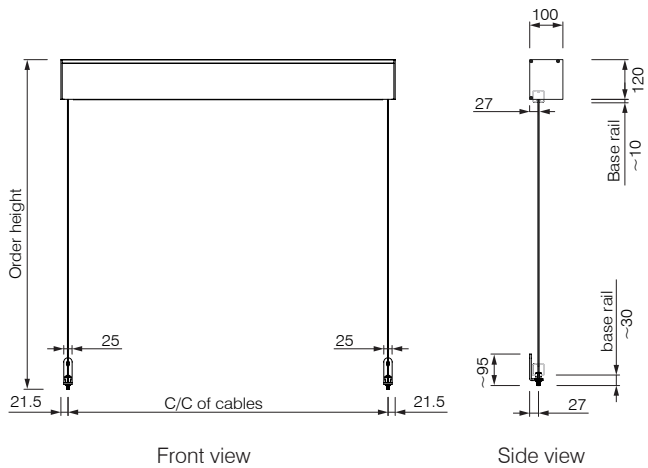
Face fix "L" bracket adjustment sizes



HMX 100/R (Recess detail) *Size limitations apply for this model

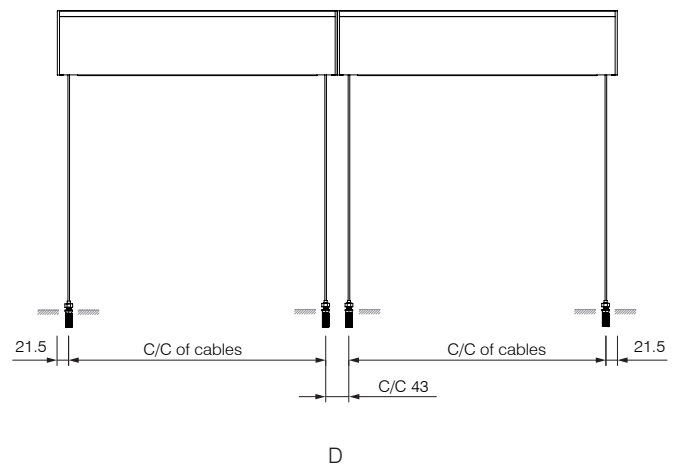
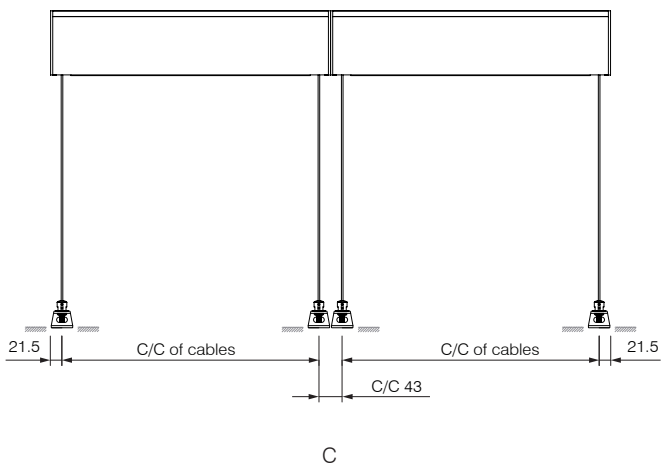
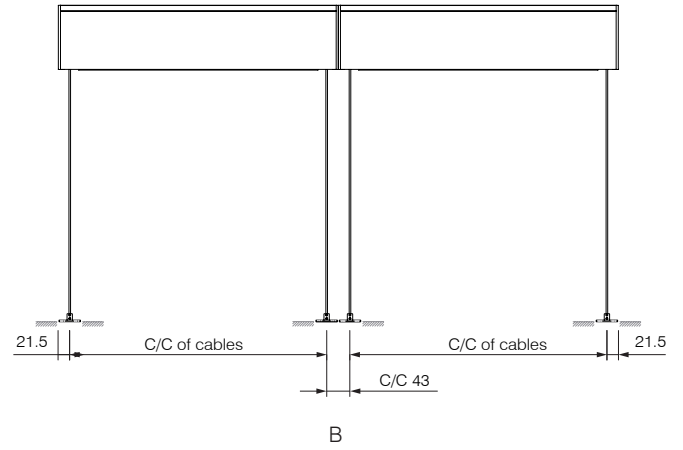
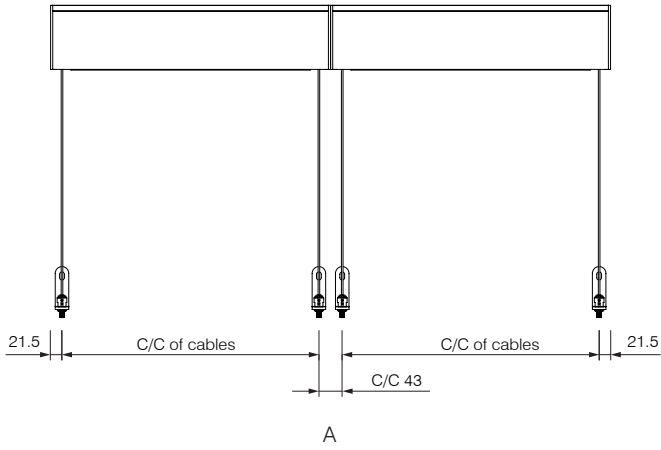


Cable fixing details



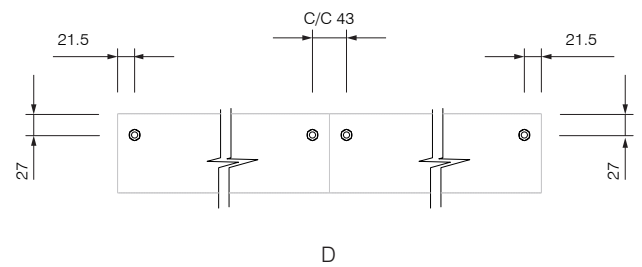
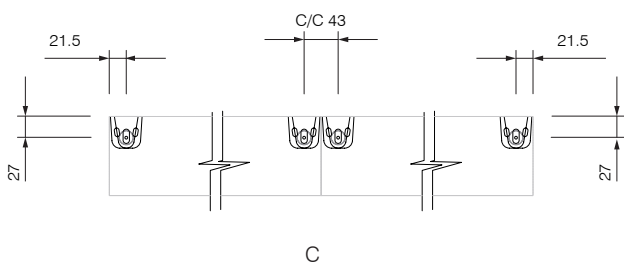
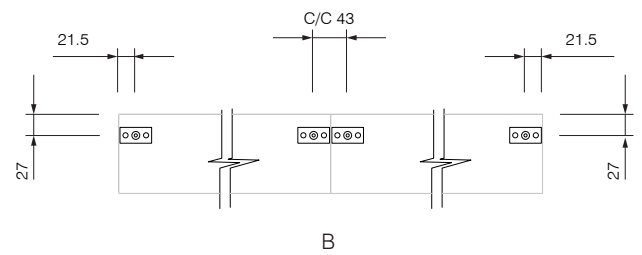
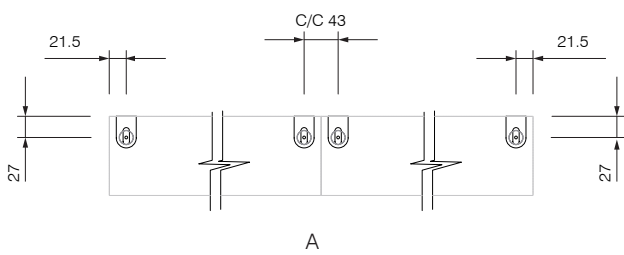
Cable fixing options

Front view – side-by-side & linked

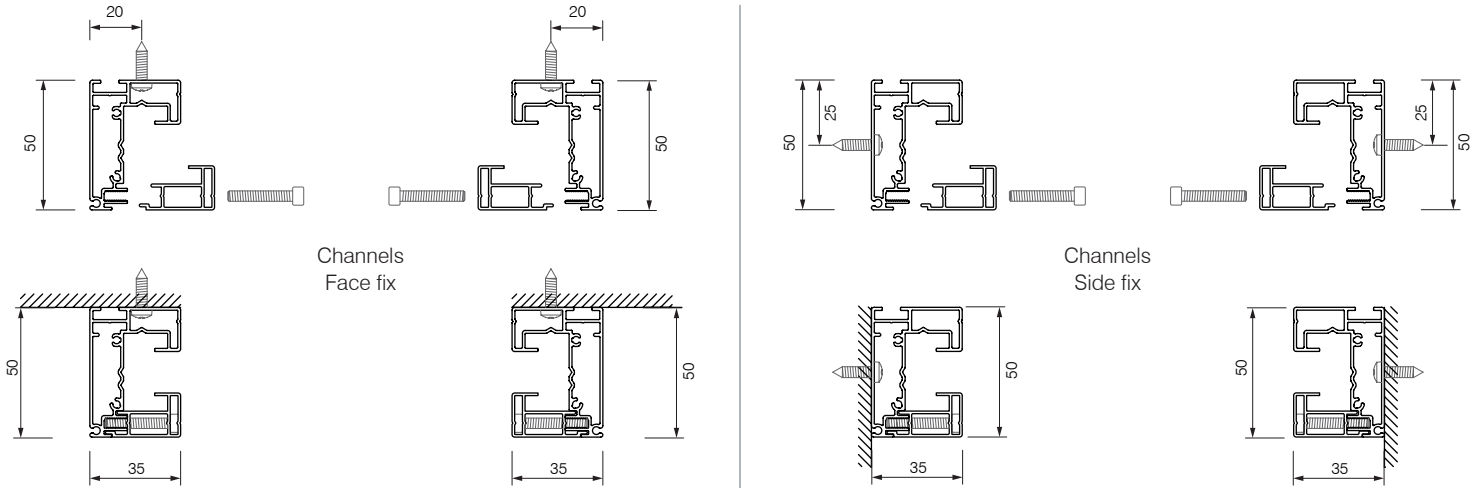


Cable set out

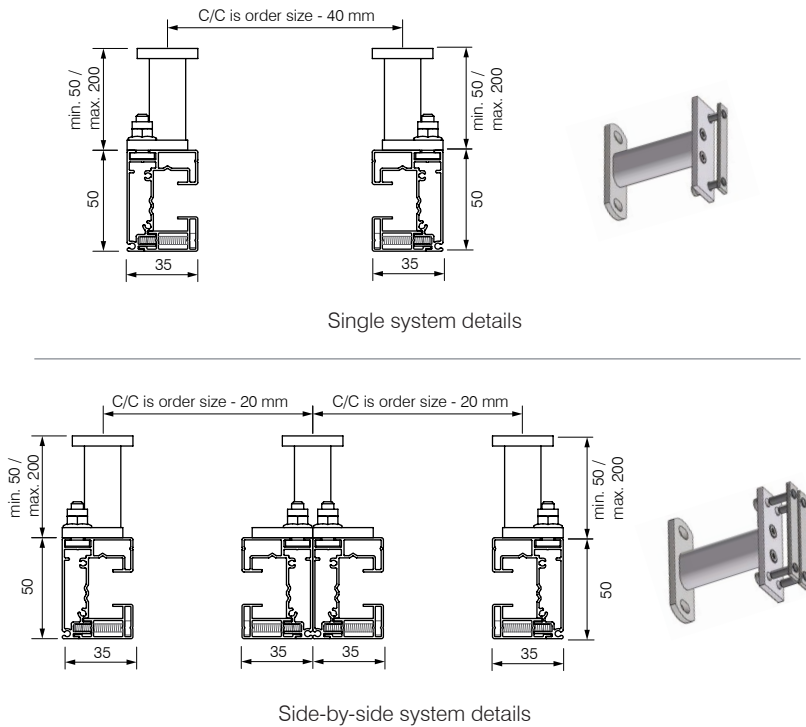
Top view – side-by-side & linked



Side channel fixing options

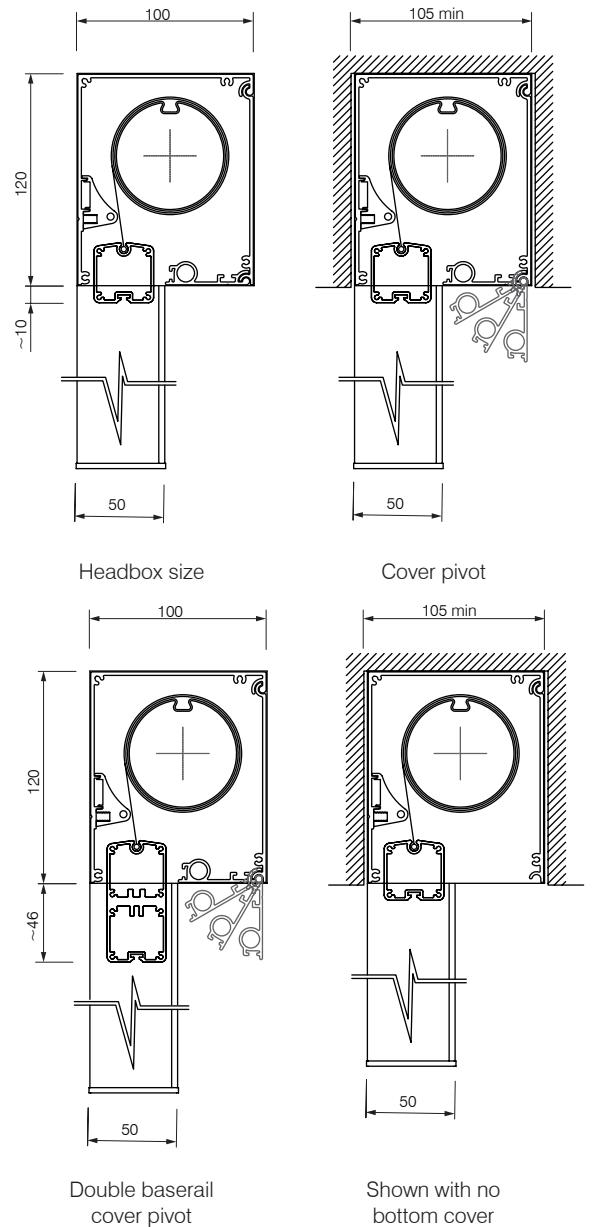


Optional channel stand-off brackets detail



HMX 100/R (Recess detail)

*Size limitations apply for this model



Power cable exit options

